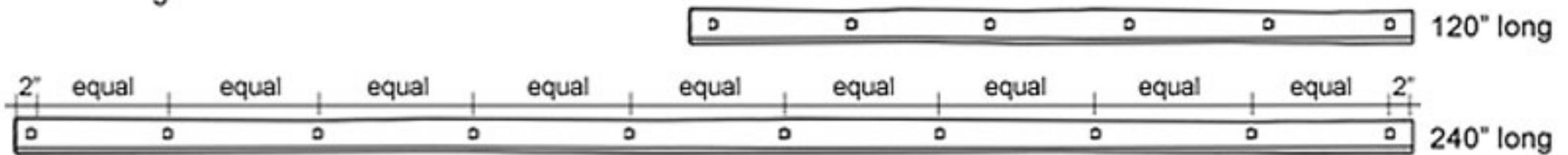
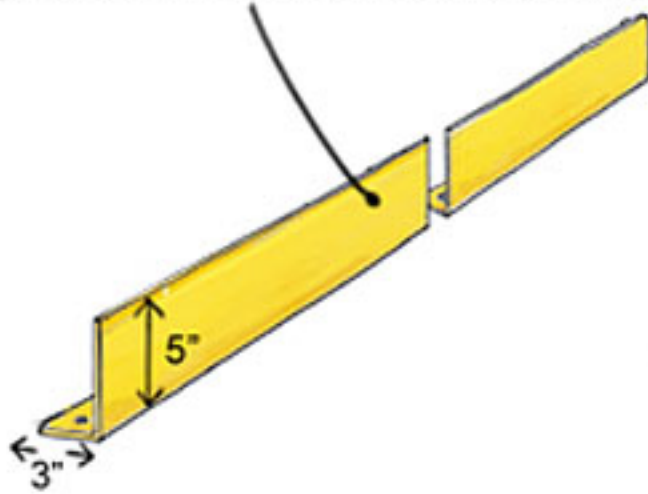


# INSTALLATION MANUAL

For the most current release of this manual, please visit our website at [cogan.com](http://cogan.com)

V.2014.1

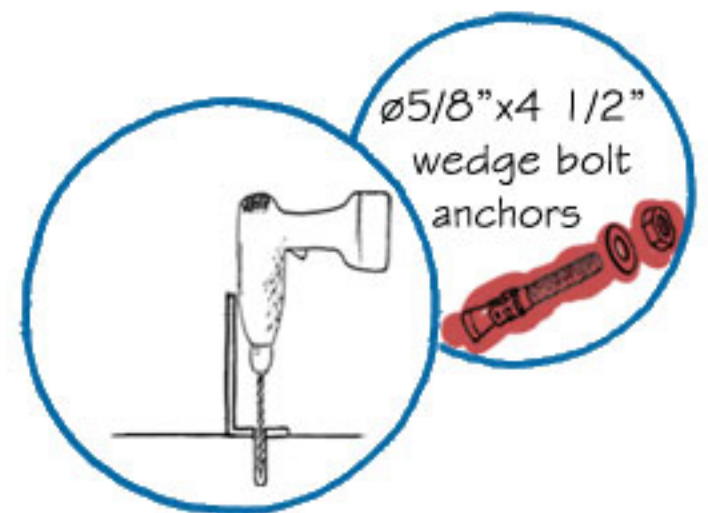
The floor angle guide is made of 3" x 5" x 1/4" thick structural steel angle punched with Ø3/4" holes for floor anchors. Anchors are sold separately as an accessory, refer to drawings to determine the required quantity.



Hole pattern shown above based on the length of the floor angle guide

Simply anchor the rack pals to the floor. Cogan recommends to always install on a concrete surface.

To install wedge anchors, hammer drill a hole with the same nominal diameter and at least as deep as the length of the anchor. Clean holes using blow out bulb. Then drive Hilti bolt and tighten to the recommended torque value. Use these anchors in concrete only.



<b>Product</b>	Rack Protection
<b>Sub-product</b>	Floor angle guide

- 12", 24", 36", 42", 48", 60", 96", 120" and 240" standard length.
- Easy installation by anchoring to concrete flooring surface.



A Tradition of Quality Since 1901

[cogan.com](http://cogan.com)